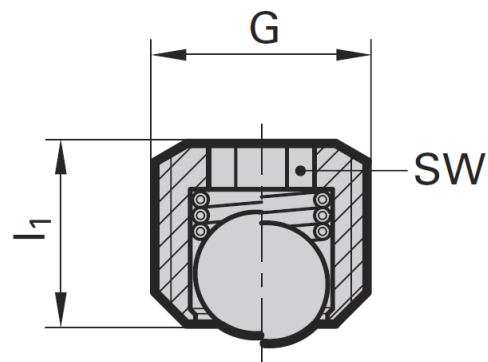


HSK 25/32



HSK 40 -100



For brass locking rings. Minimum order quantity of 5.

| Taper | Length (l1) | G | SW | Order Number |
|---------|-------------|------|-----|-----------------|
| HSK 25 | 3.4 | M3.5 | 2.0 | 683.961.003.500 |
| HSK 32 | 4.3 | M4 | 2.0 | 683.961.004.000 |
| HSK 32 | 4.0 | M4 | 2.0 | 683.961.004.001 |
| HSK 40 | 4.6 | M5 | 2.5 | 683.961.005.000 |
| HSK 50 | 5.4 | M6 | 3.0 | 683.961.006.000 |
| HSK 63 | 7.0 | M8 | 4.0 | 683.961.008.000 |
| HSK 80 | 9.2 | M10 | 5.0 | 683.961.010.000 |
| HSK 100 | 11.4 | M12 | 6.0 | 683.961.012.000 |

Transatlantic Connection Product Line

Machine Tool Gauges, Tool Changer Alignment, Runout Test Arbors, Clamping Systems, Automatic Tool Holder Grippers, Tool Clamping Components, Pallet Clamping, Cooling and Filtering Systems, Tool Changer Systems, Springs, Brushes, Actuators and Motors, Couplings and Gears, ANY Machine Replacement or Spare Part

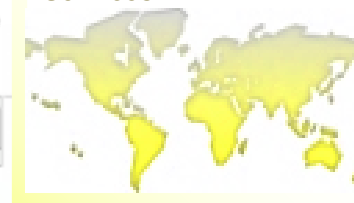
Machine Components



Gauges



Parts Sourcing Services



Spare Parts

